

# Desk for Stagecraft

Built By: Aubrey Kestell

Project #1

# End Goal

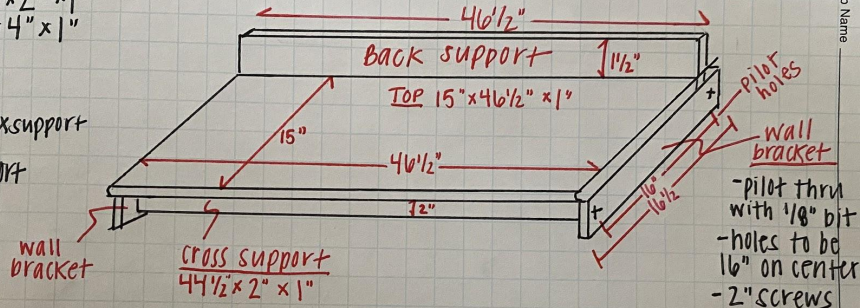


# plywood:

- Top:  $15" \times 46\frac{1}{2}" \times 1"$
- Wall bracket:  $16\frac{1}{2}" \times 2" \times 1"$  (x2)
- Cross support:  $44\frac{1}{2}" \times 2" \times 1"$
- back support:  $46\frac{1}{2}" \times 4" \times 1"$

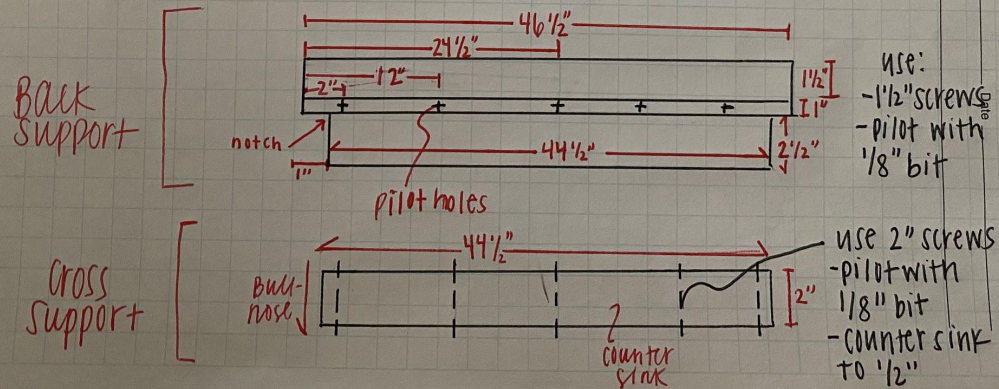
## SCREWS:

- 2": 4 for wall, 5 for xsupport
- 1 1/2": 5 for back support



- pilot thru with 1/8" bit
- holes to be 16" on center
- 2" screws

\* Bull nose to contact edge: top to front  
cross support to bottom  
back support to top



Job Name \_\_\_\_\_ Designer \_\_\_\_\_  
Date \_\_\_\_\_ Dwg. Ref. \_\_\_\_\_

RESEARCH / ENGINEERING DEPARTMENT - NOTES

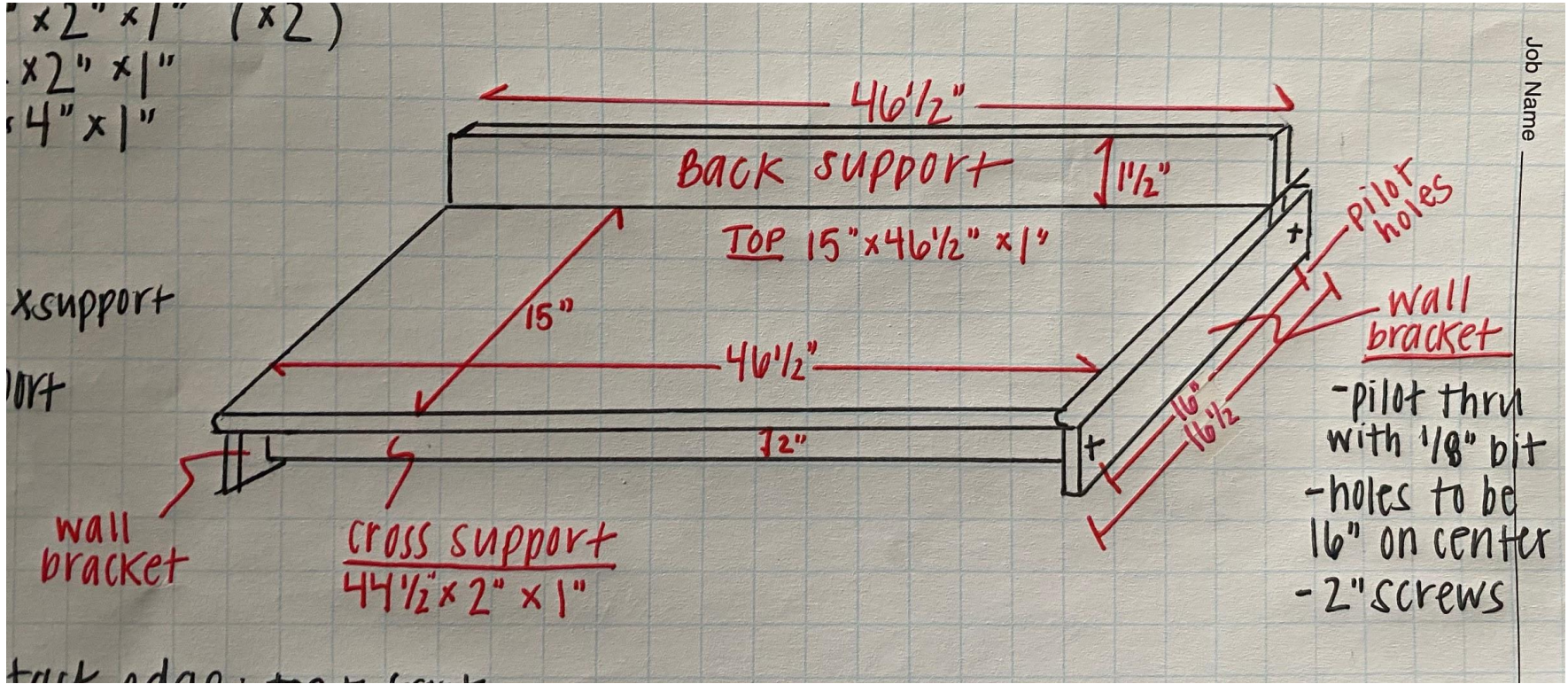
Job No. \_\_\_\_\_  
Sheet No. \_\_\_\_\_

# Top Details

Materials:

Plywood: 15" x 46 1/2" x 1" (Top), 16 1/2" x 2" x 1"

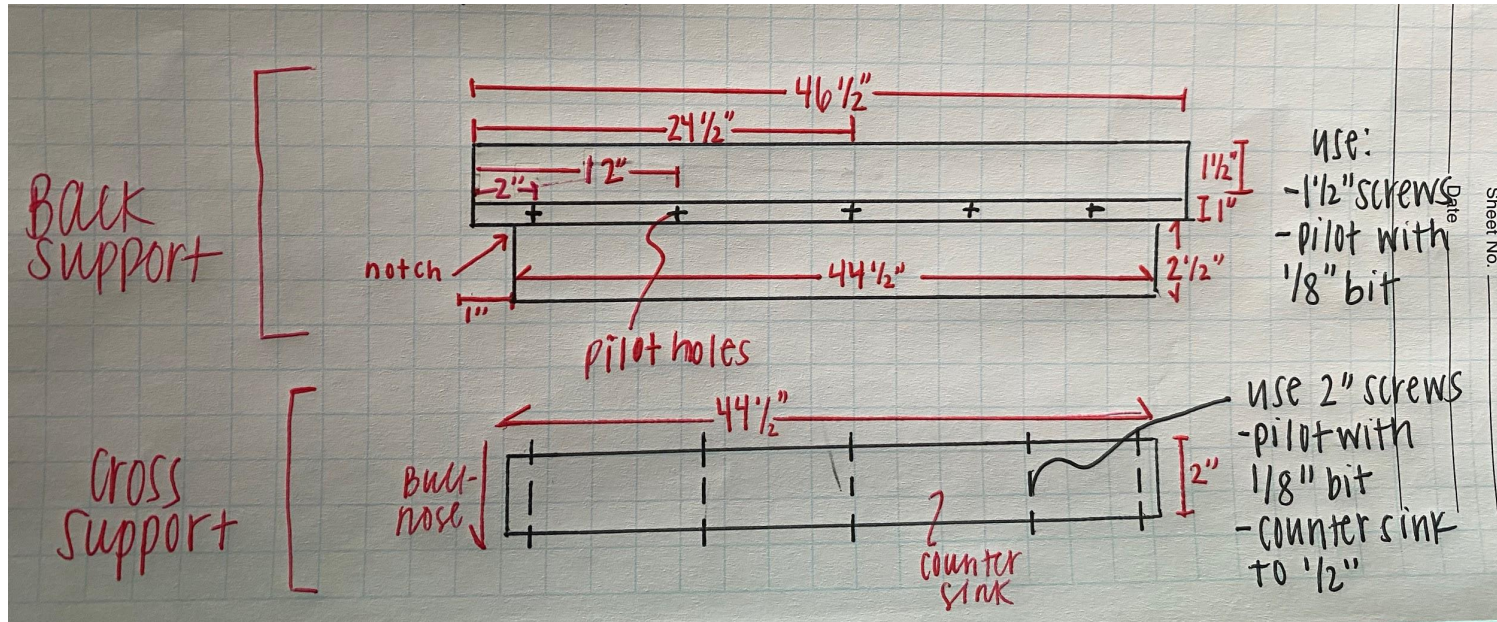
Screws: 4 - 2" screws



# Back/Cross Support Details

## Materials:

- Plywood: 46 1/2" x 5" x 1" (Back Support)
- 44 1/2" x 2" x 1" (Cross Support)
- Screws: 5 - 1 1/2" screws, 5 - 2" screws



# Materials



# Measuring & Cutting Top of Desk



# Piloting & Countersinking Back Support





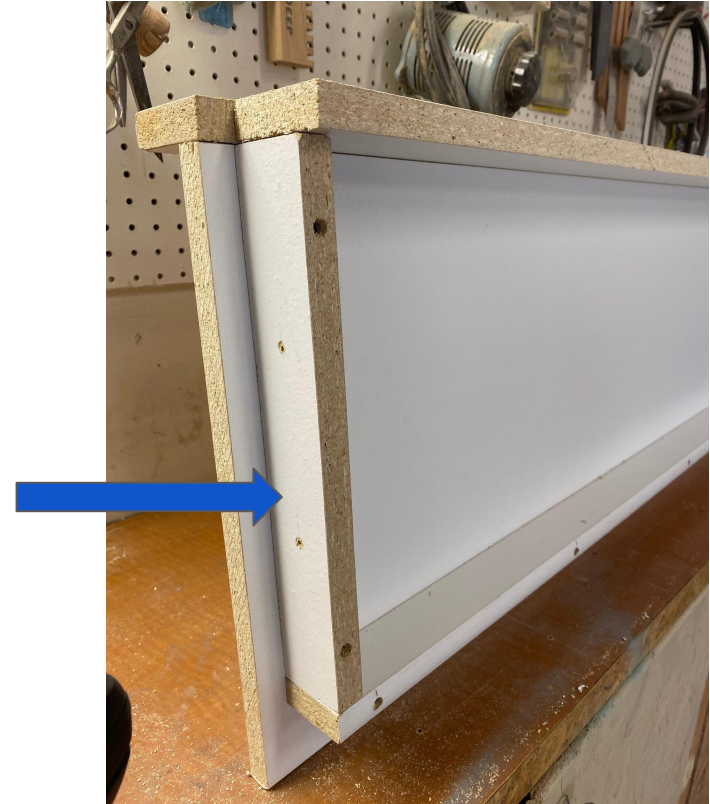
# Attaching Back Support to Top



# Cutting & Attaching Cross Support to Top



# Extra Side Supports are Attached



# Mounting Wall Brackets



# Pre-drilled Screws / Ready to Install



# Before & After

